

## 10GHz RF amplifier 3-4Watt

DB6NT

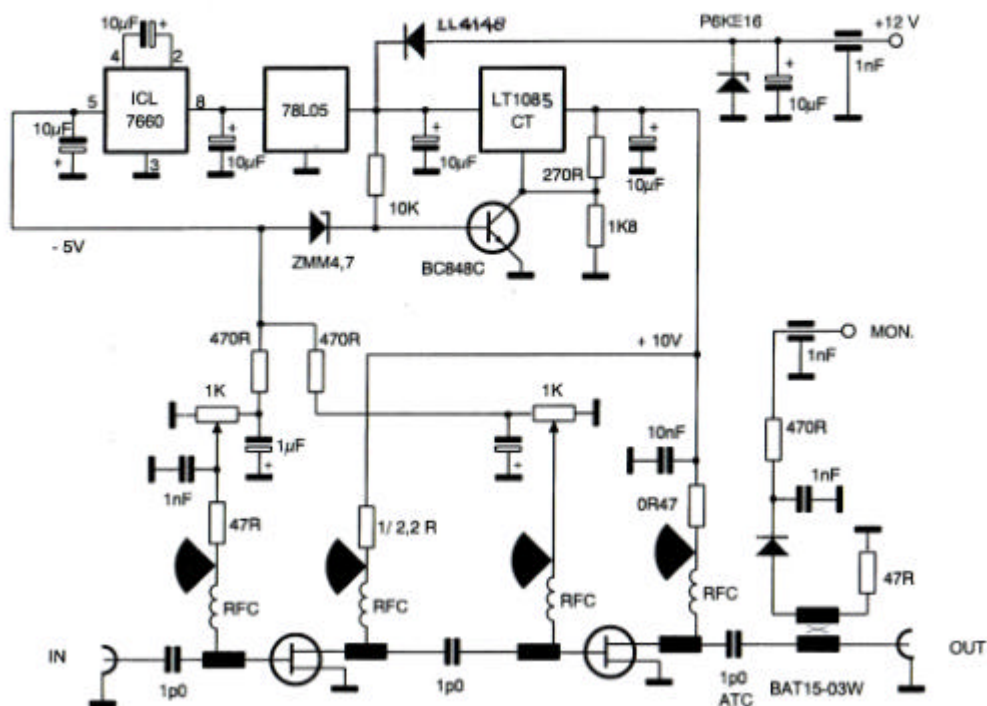
Below some information on the RF amplifier designed by DB6NT.

It uses the PCB but different FET configuration.

The FET's used were available from German and Austrian suppliers against interesting low prices.

The FET's originally are specified to be used on 14.5GHz, thus requesting tuning to get some reasonable output at 10GHz.

### Leistungsverstärker 10 GHz / 4 Watt DB 6 NT 12.96

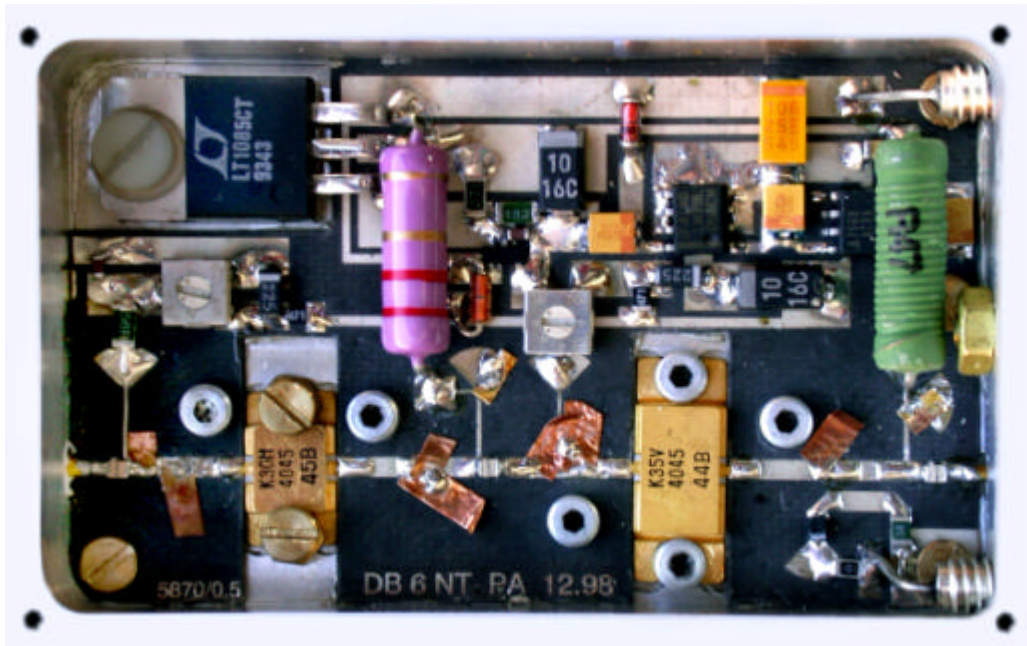


**The FET's used were:  
MGFK-30 & MGFK-35**

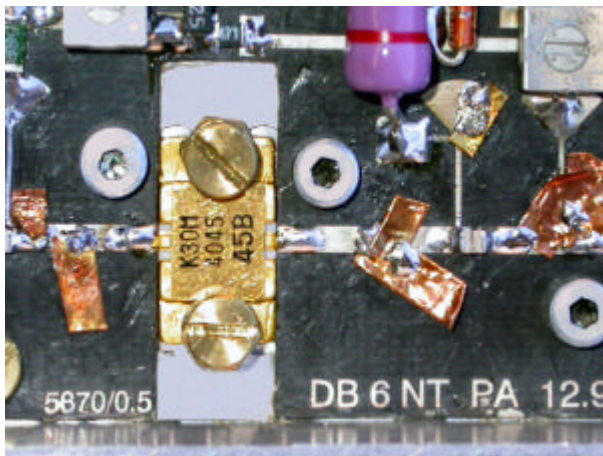
Experiences from I1TEX:

Using very very much patience I finally got 4,3-4,5W output (...!) at the level of P input=270mW.  
I1=0,35A I2=0,75A currents without drive , with drive Itot=2,0A.

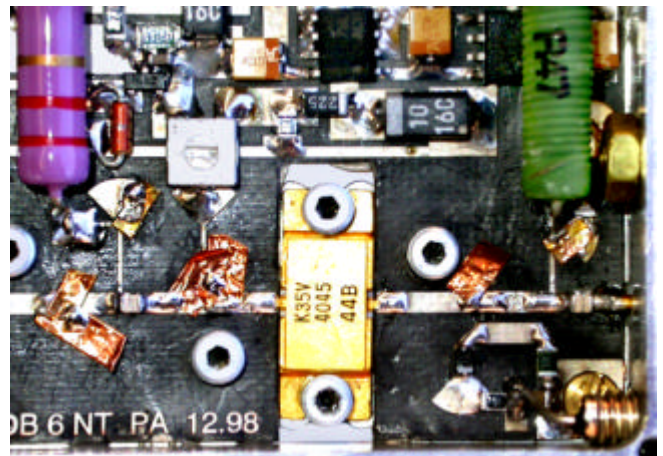
Some my friend reached 3,5-3,8W output bat using less of patience ..hi.  
73 Michele I1TEX



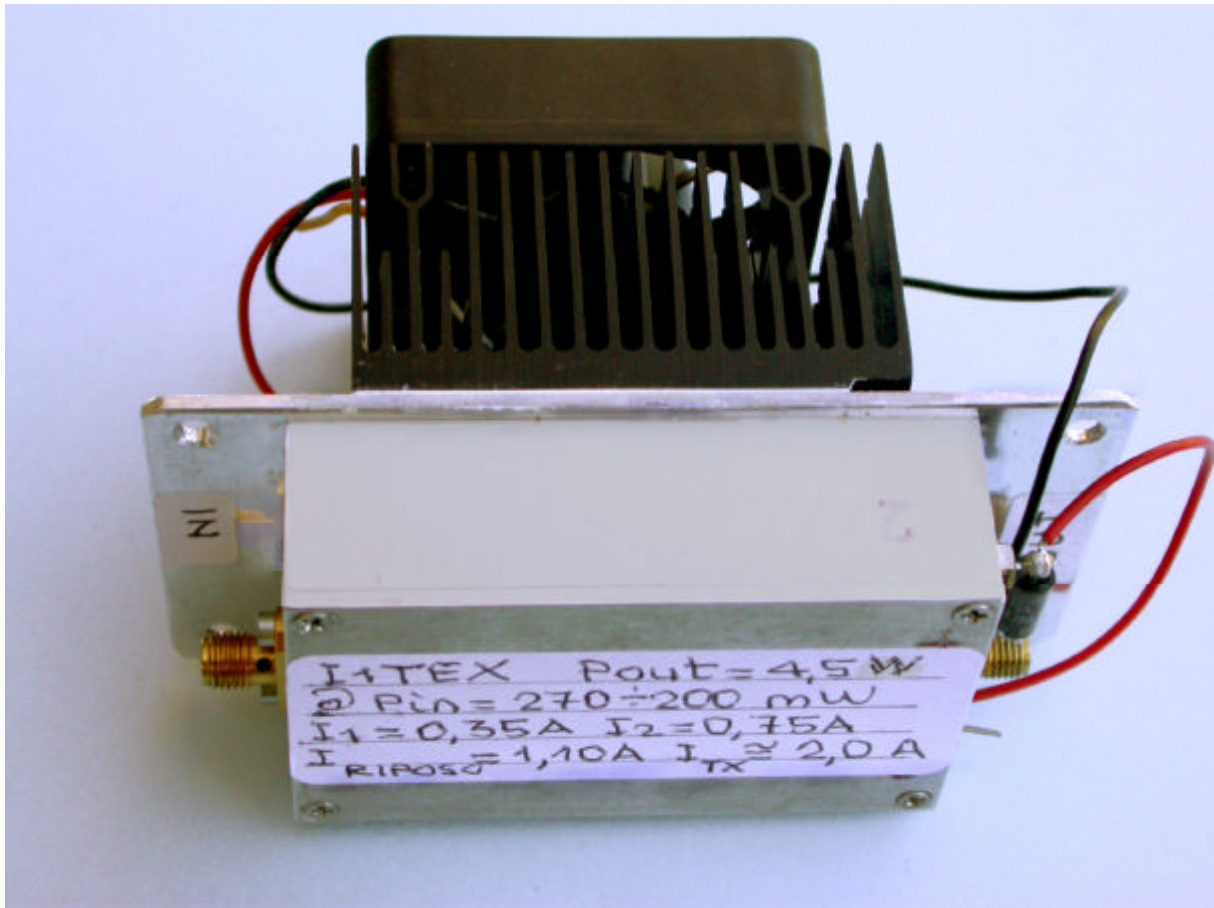
**Tuning flaps can be seen clearly**



**Tuning-flaps on driver**



**Tuning-flaps on final**



Completed 10GHz-PA by I1TEX

